

THIS DRAWING IS UNPUBLISHED. RELEASED FOR PUBLICATION 2011
 © COPYRIGHT 2011 BY - ALL RIGHTS RESERVED.

| LOC | DIST | REVISIONS | | | |
|-----|------|-------------|------|-----|------|
| P | LTR | DESCRIPTION | DATE | DWN | APVD |
| - | - | SEE SHEET 1 | - | - | - |
| | | | | | |
| | | | | | |

POLARIZATION TYPES

| POLARIZATION TYPE "A" | POLARIZATION TYPE "B" | POLARIZATION TYPE "C" |
|-------------------------------|-------------------------------|-------------------------------|
| | | |
| PNs 0-293774-1 AND 1-293774-1 | PNs 0-293774-2 AND 1-293774-2 | PNs 0-293774-3 AND 1-293774-3 |
| POLARIZATION TYPE "D" | POLARIZATION TYPE "E" | |
| | | |
| PNs 0-293774-4 AND 1-293774-4 | PNs 0-293774-5 AND 1-293774-5 | |

TABLE 1

| NOTE | POL. KEYING | COLOUR | DESCRIPTION | REV. | P/N |
|------|-------------|---------|---|------|------------|
| 1 | E | BLACK | PIN HSG 7 POLE PANEL MOUNT NECTOR* M-LINE | A | 1-293774-5 |
| 1 | D | BLACK | PIN HSG 7 POLE PANEL MOUNT NECTOR* M-LINE | A | 1-293774-4 |
| 1 | C | BLACK | PIN HSG 7 POLE PANEL MOUNT NECTOR* M-LINE | A | 1-293774-3 |
| 1 | B | BLACK | PIN HSG 7 POLE PANEL MOUNT NECTOR* M-LINE | A | 1-293774-2 |
| 1 | A | BLACK | PIN HSG 7 POLE PANEL MOUNT NECTOR* M-LINE | A | 1-293774-1 |
| 1 | E | NATURAL | PIN HSG 7 POLE PANEL MOUNT NECTOR* M-LINE | A | 0-293774-5 |
| 1 | D | NATURAL | PIN HSG 7 POLE PANEL MOUNT NECTOR* M-LINE | A | 0-293774-4 |
| 1 | C | NATURAL | PIN HSG 7 POLE PANEL MOUNT NECTOR* M-LINE | A | 0-293774-3 |
| 1 | B | NATURAL | PIN HSG 7 POLE PANEL MOUNT NECTOR* M-LINE | A | 0-293774-2 |
| 1 | A | NATURAL | PIN HSG 7 POLE PANEL MOUNT NECTOR* M-LINE | A | 0-293774-1 |

THIS DRAWING IS A CONTROLLED DOCUMENT.

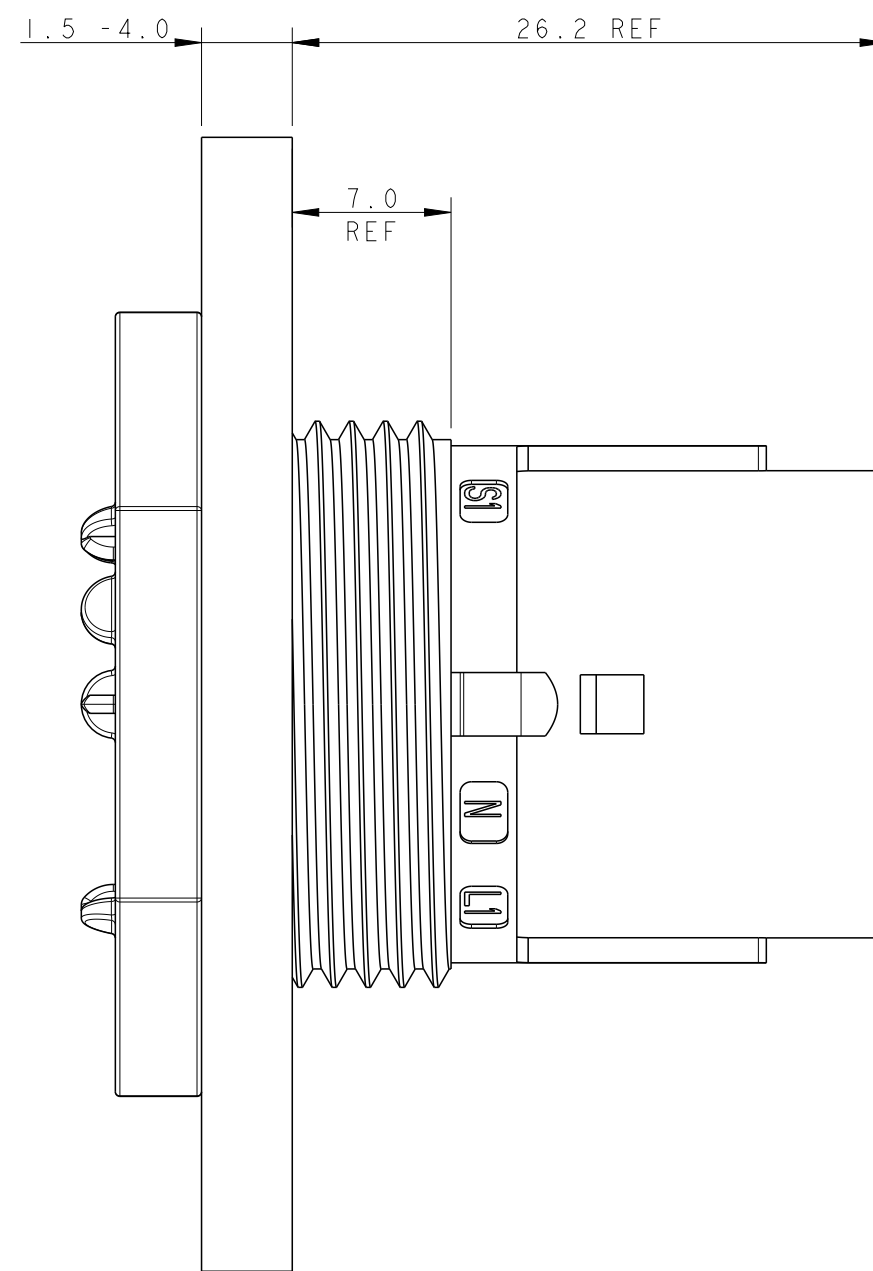
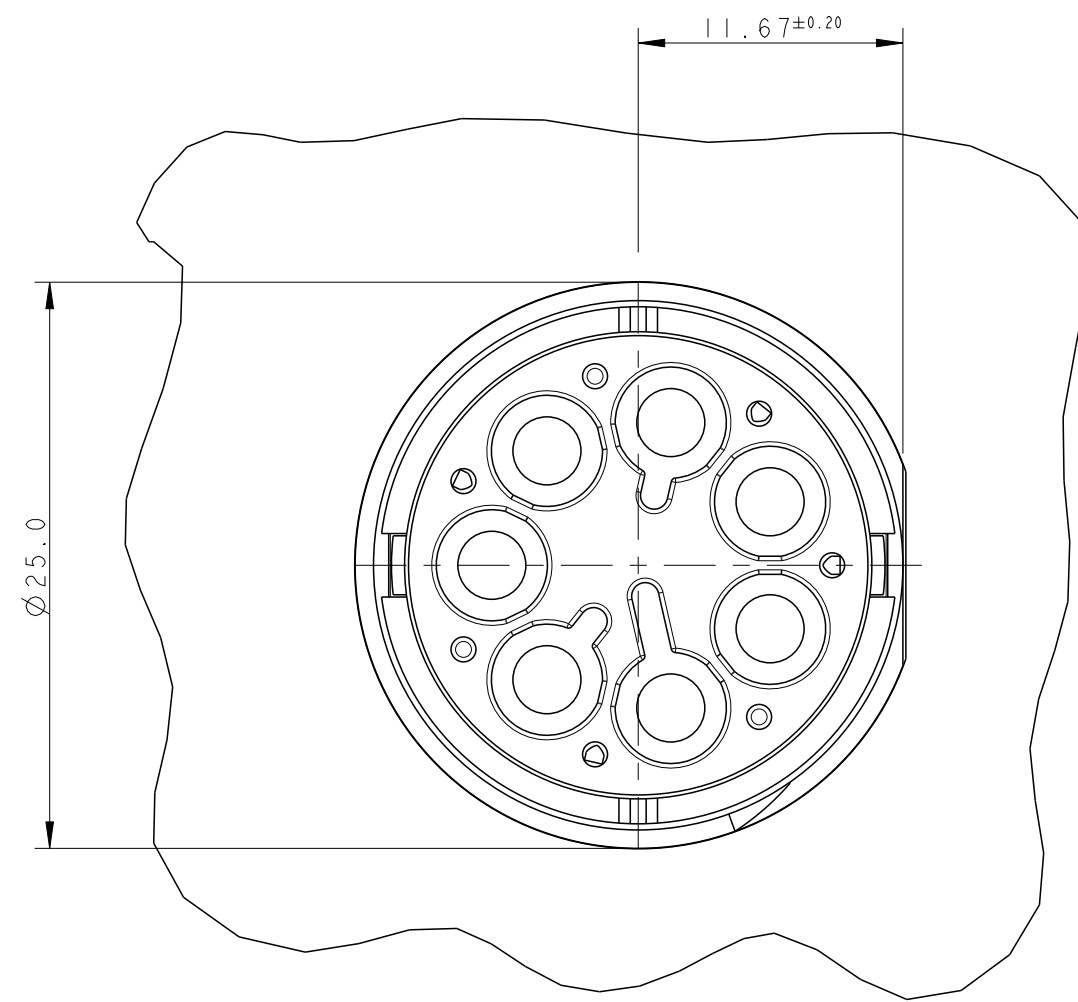
| | | | |
|----------------|--|---|--|
| DIMENSIONS: mm | TOLERANCES UNLESS OTHERWISE SPECIFIED: 0 PLC ± 1 PLC ±0.3 2 PLC ±0.20 3 PLC ± 4 PLC ± ANGLES ±3° FINISH | DWN 31MAR2011 A. BERNARDI CHK 31MAR2011 M. ZUCCA APVD 31MAR2011 G. TURCO PRODUCT SPEC APPLICATION SPEC WEIGHT | TE Connectivity NAME PIN HOUSING 7 POLES PANEL MOUNT M-LINE NECTOR SIZE CAGE CODE DRAWING NO RESTRICTED TO A200779 C-293774 SCALE 3:1 SHEET 2 OF 3 REV A |
|----------------|--|---|--|

Customer Drawing

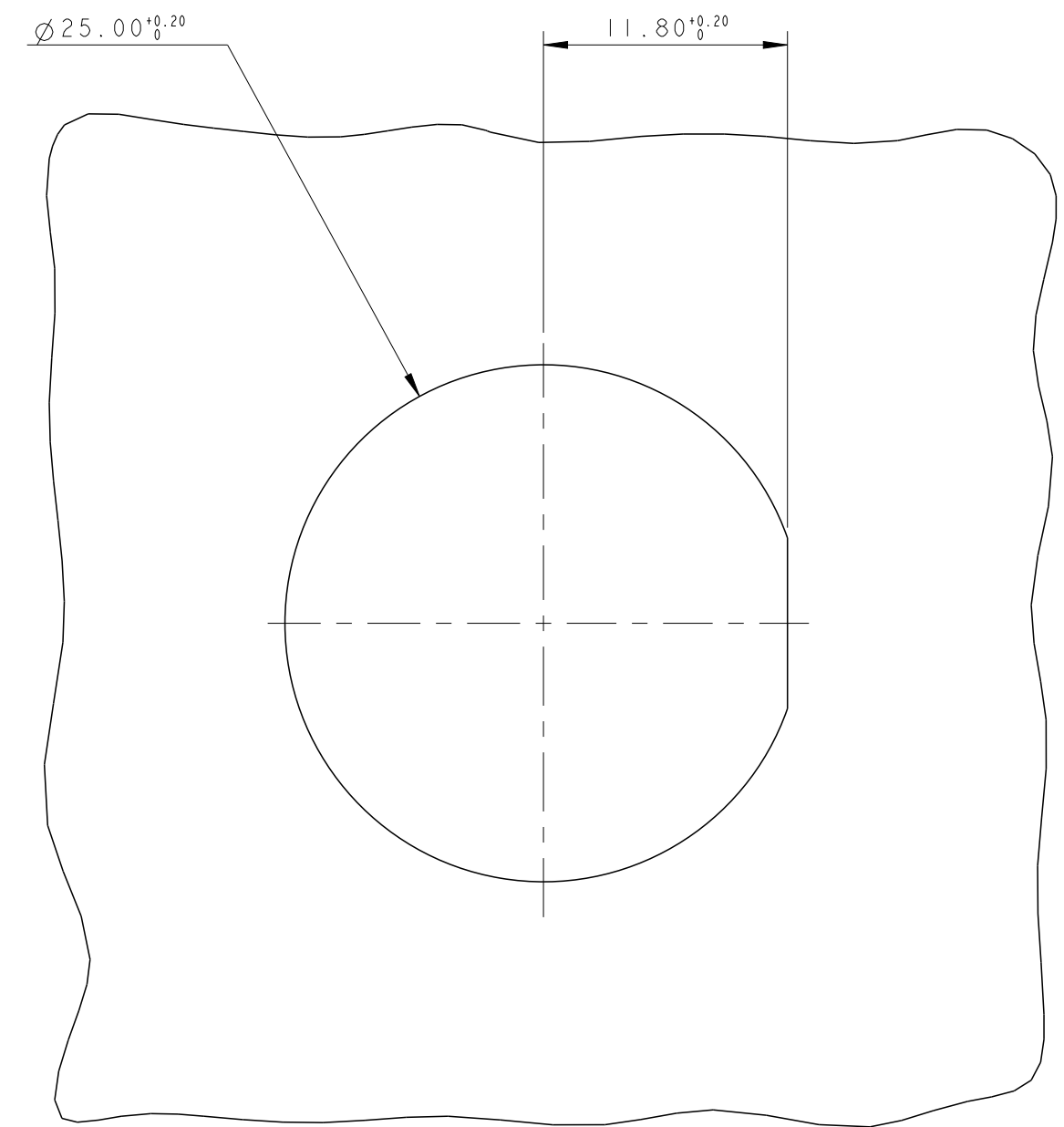
THIS DRAWING IS UNPUBLISHED. RELEASED FOR PUBLICATION 2011
 © COPYRIGHT 2011 BY - ALL RIGHTS RESERVED.

| LOC | | DIST | | REVISIONS | | | |
|-----|-----|-------------|------|-----------|------|--|--|
| P | LTR | DESCRIPTION | DATE | DWN | APVD | | |
| - | - | SEE SHEET 1 | - | - | - | | |
| | | | | | | | |
| | | | | | | | |

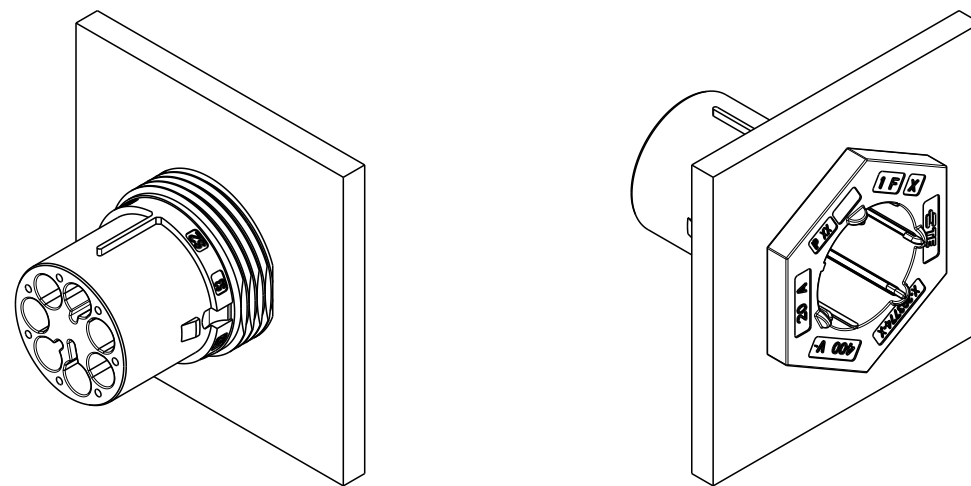
PN 293774-3 AS SHOWN




PANEL/WALL SUGGESTED LAYOUT



3D VIEWS FOR REFERENCE ONLY
 PN 293774-3 AS SHOWN



SCALE 1:1

| | | | | |
|--|------------|---------------------------------|---|---------------|
| THIS DRAWING IS A CONTROLLED DOCUMENT. | | DWN A. BERNARDI 31MAR2011 |  TE Connectivity | |
| DIMENSIONS: mm | | CHK M. ZUCCA 31MAR2011 | | |
| TOLERANCES UNLESS OTHERWISE SPECIFIED: | | APVD G. TURCO 31MAR2011 | NAME PIN HOUSING 7 POLES PANEL MOUNT M-LINE NECTOR | |
| 0 PLC ± | 1 PLC ±0.3 | PRODUCT SPEC | SIZE | RESTRICTED TO |
| 2 PLC ±0.20 | 3 PLC ± | APPLICATION SPEC | CAGE CODE | |
| 4 PLC ± | ANGLES ±3° | WEIGHT | DRAWING NO | |
| MATERIAL | FINISH | Customer Drawing | A200779 | |
| | | SCALE 3:1 | C-293774 | |
| | | SHEET 3 OF 3 | REV A | |